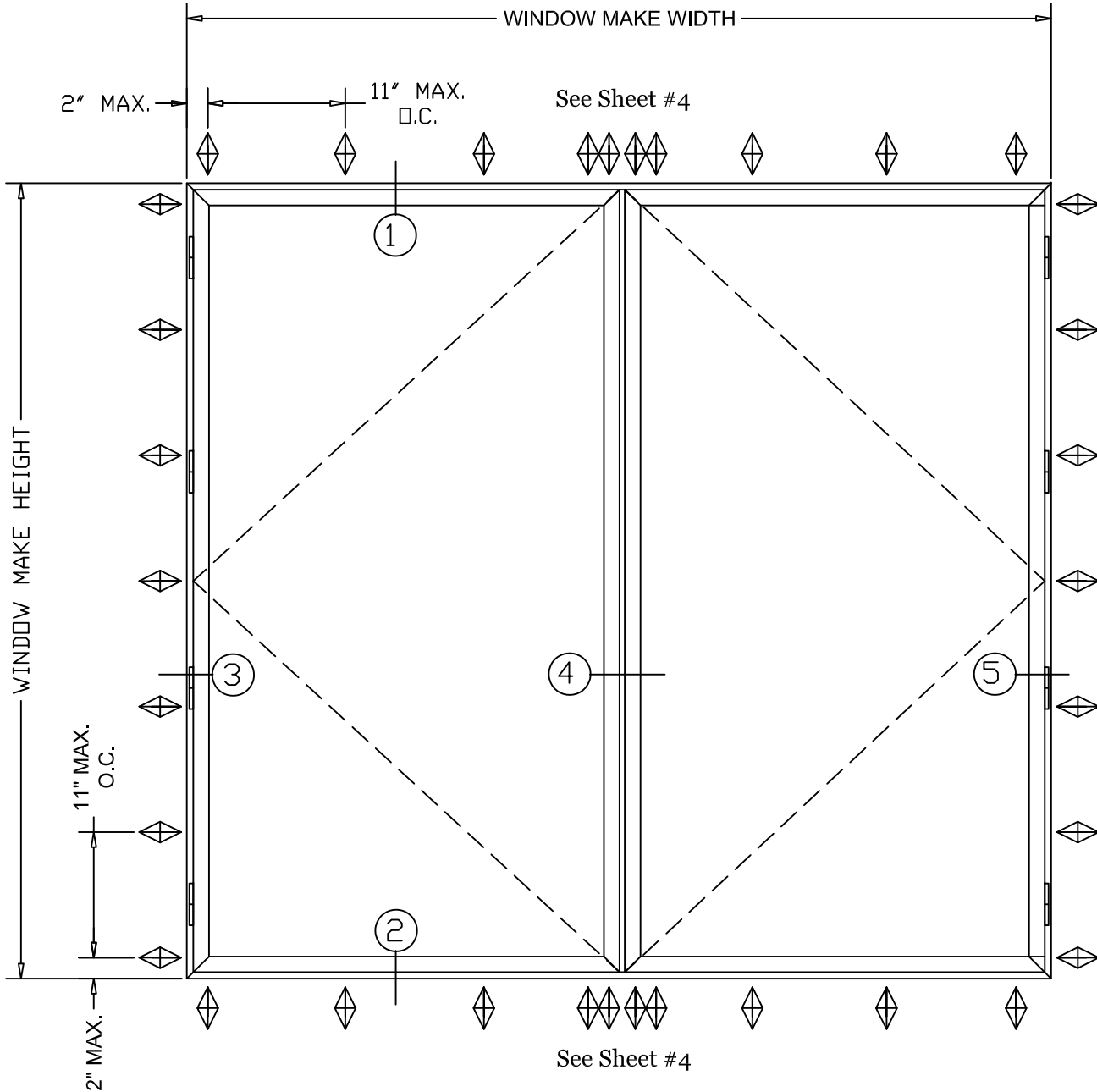


# M600 DUAL CASEMENT OUTSWING WINDOW



**NOTES:**

1. Installations depicted satisfy the requirements of the Florida Building Code, Building 8th Edition (2023) for design wind pressures and overall sizes noted.
2. Wood bucks, wood framing, steel stud framing, concrete and concrete masonry are by others and shall be designed by the architect or engineer of record to resist the loads imparted to them.
3. Wood bucks and wood framing are assumed S-P-F (G=0.55) or denser. Buck width shall be greater than the window frame width. Tapered or partial width buck strips are not allowed.
4. Steel stud frames are assumed to be a minimum 18 gauge 33 KSI steel.
5. Concrete masonry (CMU) shall conform to ASTM C90
6. Concrete shall be minimum  $f_c = 3,000$  psi
7. Wood screws shall meet requirements of ANSI/ASME B18.6.1.
8. TEKS screws shall be ASTM A510 Grade 1018 or equivalent.
9. Hilti Kwik-Con + anchors as specified in NOA 21-0628.20.
10. Maximum shim thickness 1/4".
11. Products are not impact resistant and require an approved protection device if used in windborne debris regions.
12. Not for use in High Velocity Hurricane Zone (HVHZ).
13. Sealing and flashing strategies and overall water infiltration performance of the installed product are by others and not addressed by this document.

Minimum Glazing  
 1" Insulating Glass  
 EXT - 1/4" Annealed Glass  
 INT - 1/4" Annealed Glass

⬠ Anchor -- See Sheet 2 and 3

Maximum Dimensions and Design Pressure				
FW	FH	VENT-W	VENT-H	Pressure
72"	96"	34 7/8"	94 3/16"	± 70 PSF
DAYLIGHT OPENING		30 1/2"	89 3/4"	

<b>CONTENTS</b>	
Sheet 1/4	Elevations and Notes
Sheet 2/4	Fin Installations
Sheet 3/4	Strap Installations
Sheet 4/4	Strap Anchor Details

Tanya A. Dolby, P.E.  
 FL License No. 93536  
 Intertek-ATI  
 130 Derry Ct., York, PA 17406  
 717-764-7700  
 Project Q4430.01-122-34

Project Name:

**ELEVATION AND NOTES**

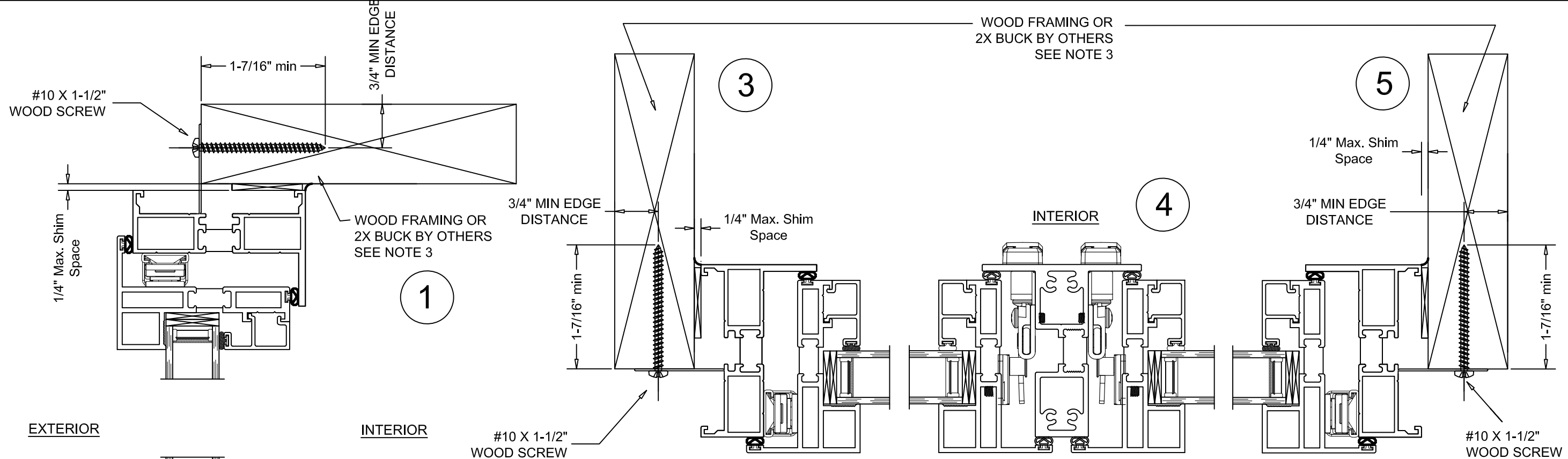
PHONE (573)-744-5211  
 FAX (573)-744-5586  
 COMMERCIAL  
 FAX (573)-744-5822  
 www.quakerwindows.com



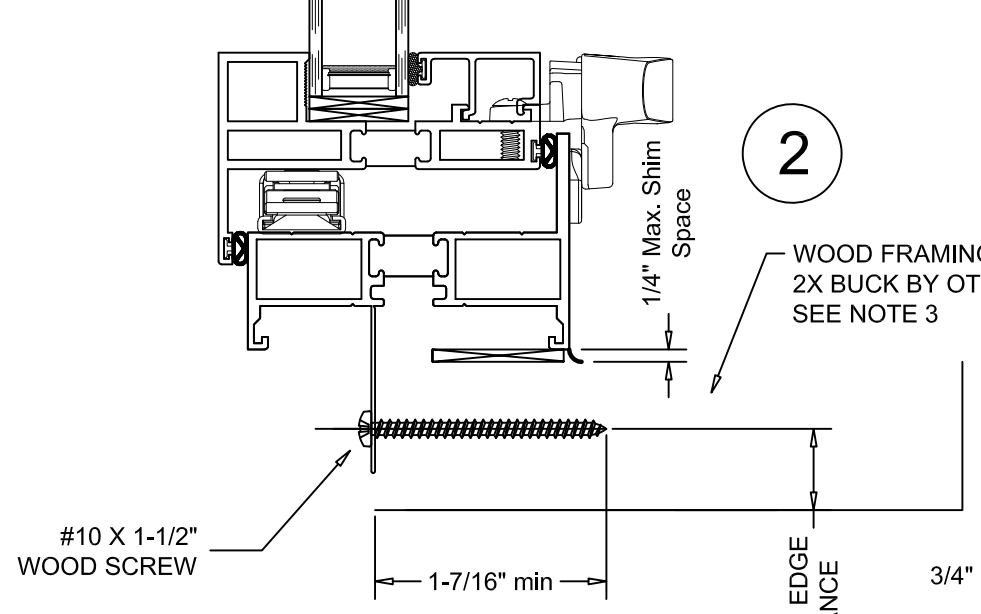
Scale: NONE  
 504 Highway 63 South  
 Freeburg, MO 65035  
 drafting@quakerwindows.com  
 Drawn By: BUD  
 Date: 08-15-2023  
 Sheet #: 1 of 4

Description:	Revision #:	Date:	By:
QUAKER WINDOW PRODUCTS WILL NOT BE RESPONSIBLE FOR FIELD MEASUREMENT, QUANTITIES, & INSTALLATION DESIGN. CONTRACTOR MUST VERIFY ALL DIMENSIONS.	1	04/11/21	MJT
	2	05/09/21	MJT

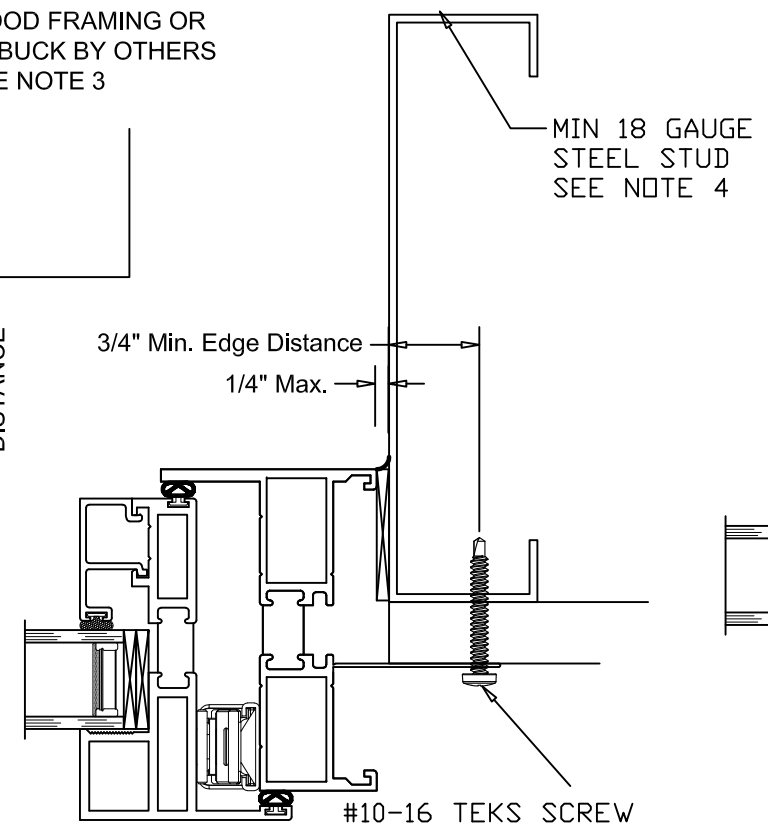
**M600 DUAL CASEMENT OS  
 INSTALLATION INSTRUCTIONS**



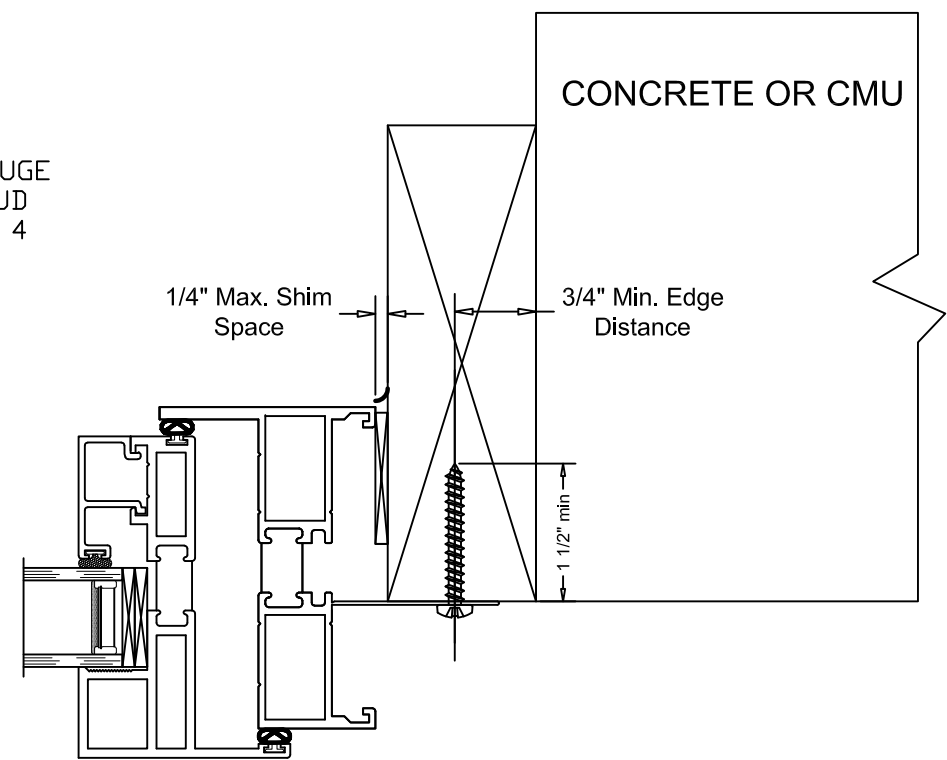
HORIZONTAL SECTION DETAIL  
WOOD FRAMING INSTALLATION



VERTICAL SECTION DETAIL  
WOOD FRAMING INSTALLATION



STEEL FRAMING INSTALLATION



CONCRETE OR CMU INSTALLATION  
ANCHORAGE OF WOOD BLOCKING  
TO CONCRETE OR CMU BY OTHERS

Tanya A. Dolby, P.E.  
FL License No. 93536  
Intertek-ATI  
130 Derry Ct., York, PA 17406  
717-764-7700  
Project Q4430.01-122-34

Project Name:

FIN INSTALLATIONS

PHONE (573)-744-5211  
FAX (573)-744-5586  
COMMERCIAL  
www.quakerwindows.com

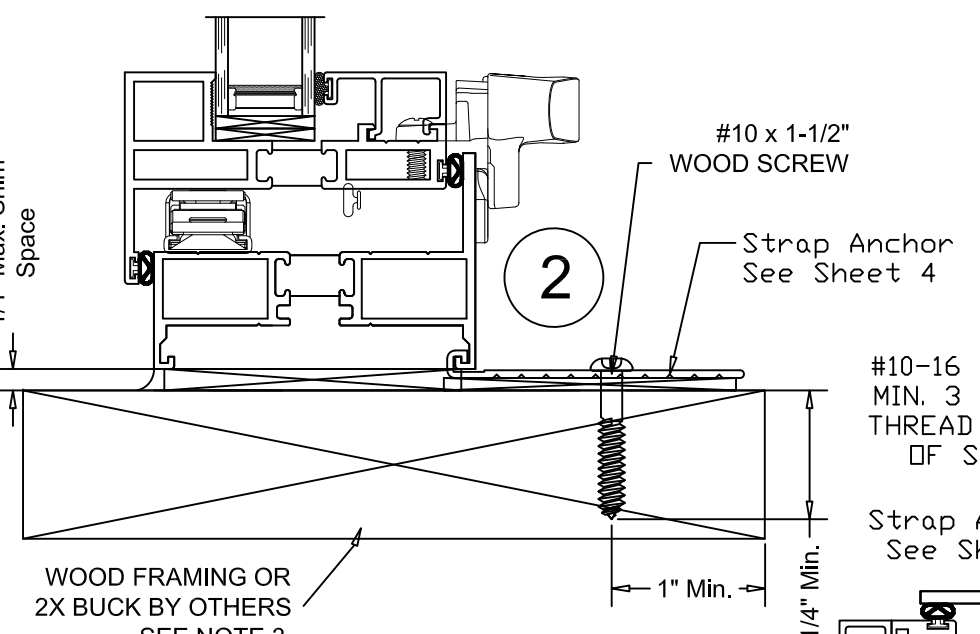
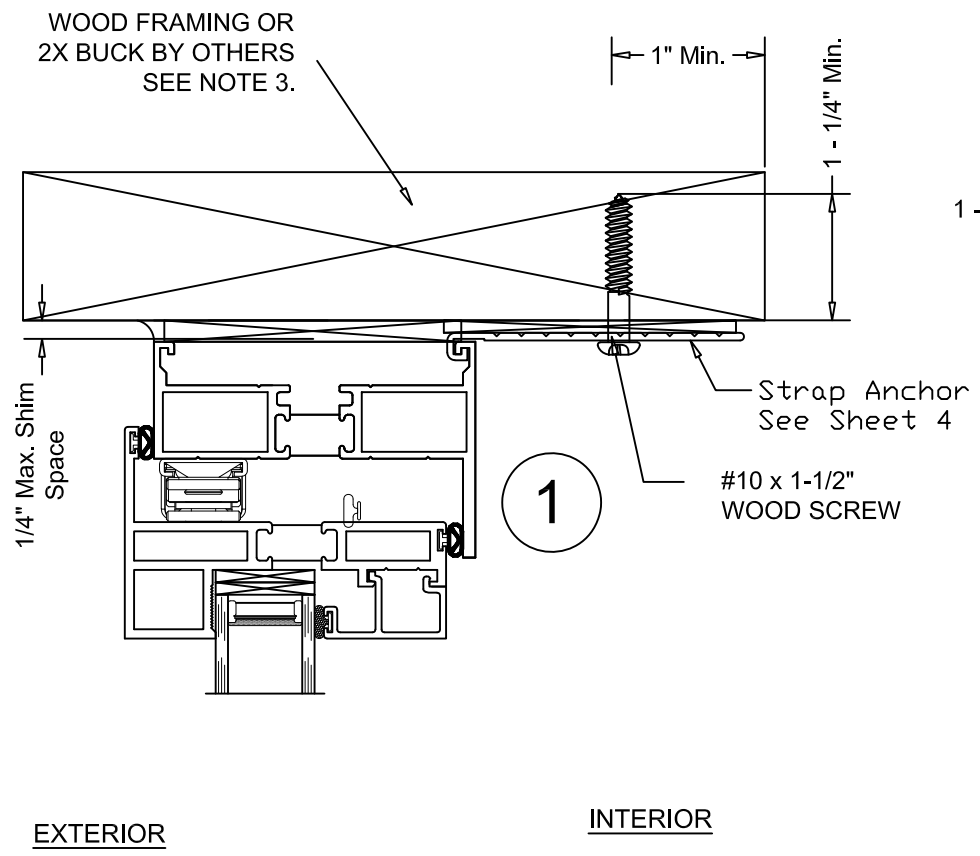
504 Highway 63 South  
Freeburg, MO 65035  
drafting@quakerwindows.com



Revision #:	By:	Date:
2	MJT	05/09/21
1	MJT	04/11/21

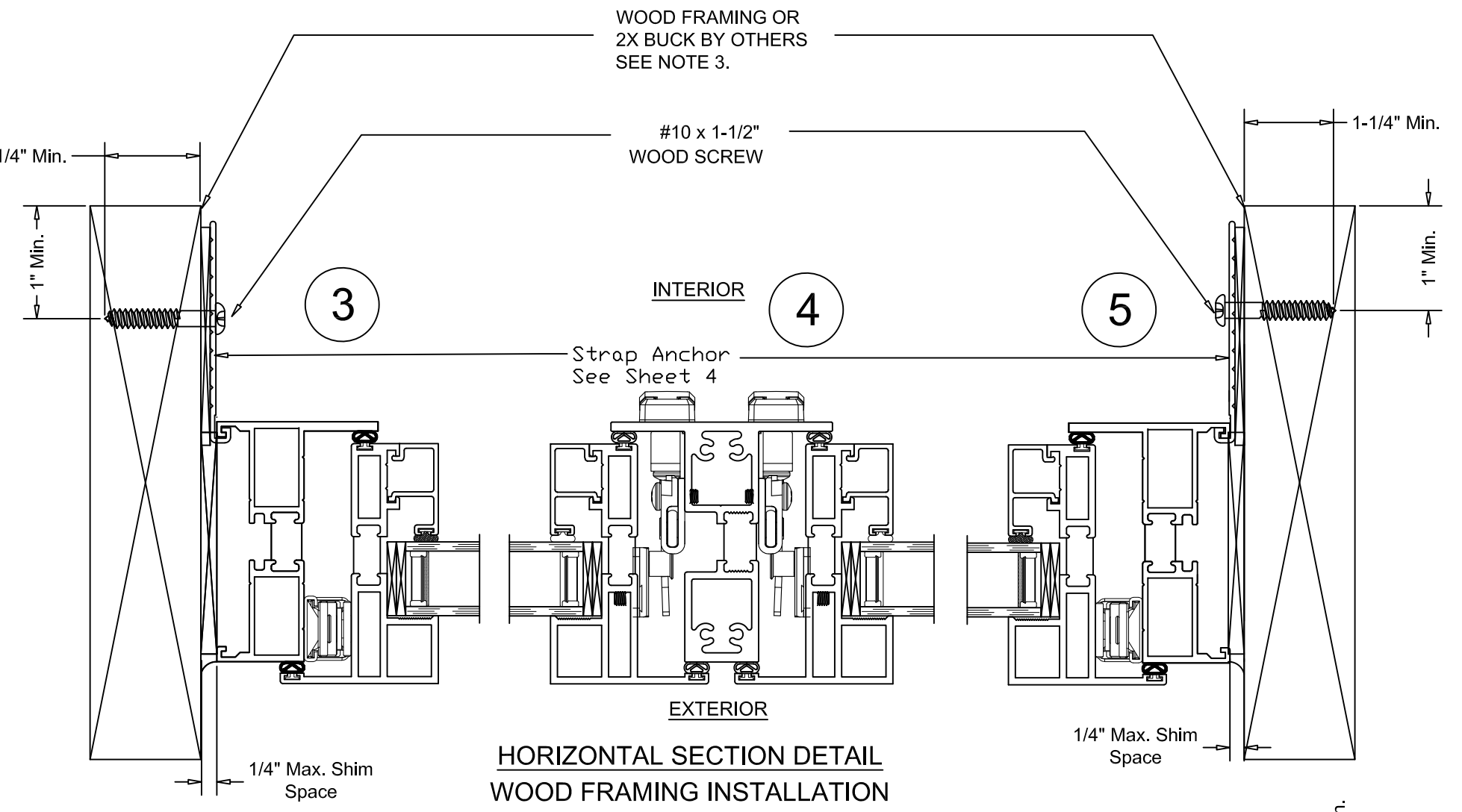
Description:	Scale:	Sheet #:
QUAKER WINDOW PRODUCTS WILL NOT BE RESPONSIBLE FOR FIELD MEASUREMENT, QUANTITIES, & INSTALLATION DESIGN. CONTRACTOR MUST VERIFY ALL DIMENSIONS.	NONE	2 of 4
Drawn By:	BUD	Date:
		08-15-2023

M600 DUAL CASEMENT OS  
INSTALLATION INSTRUCTIONS

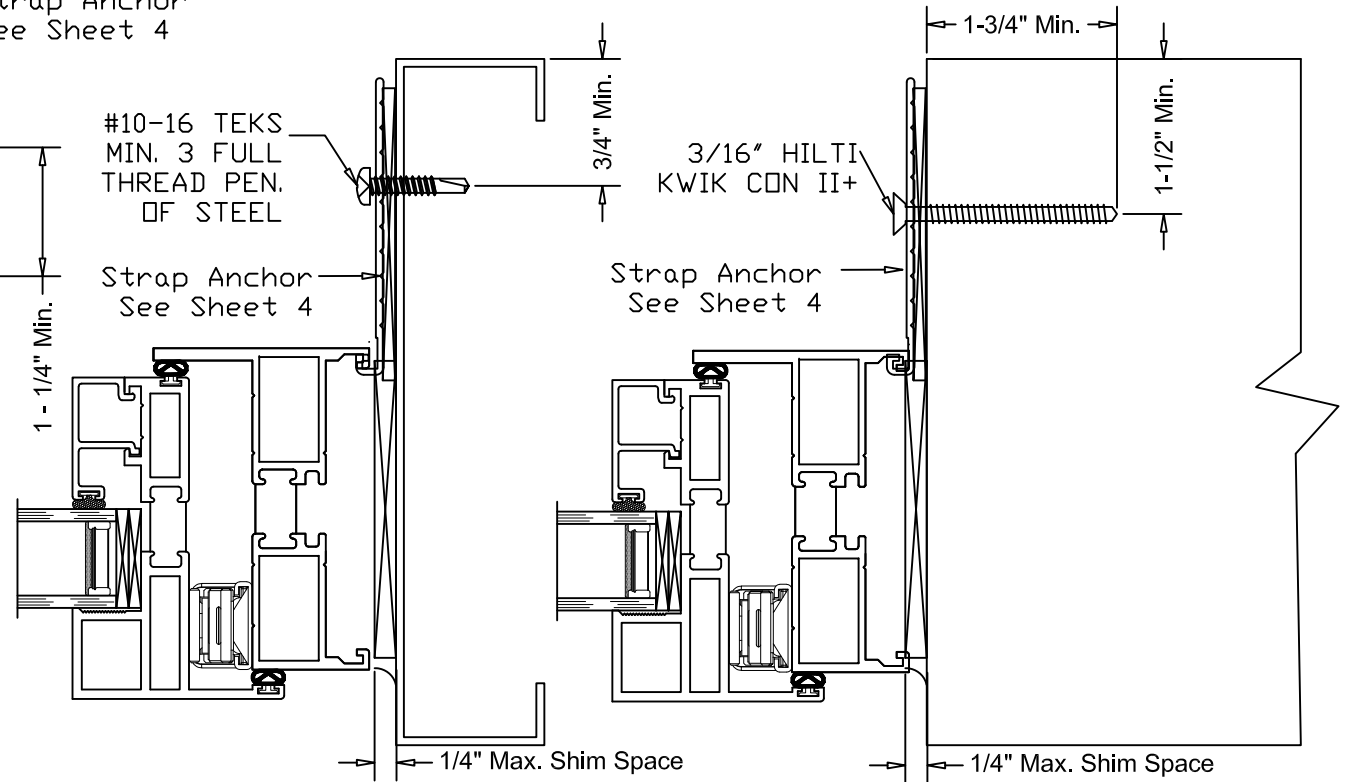


**VERTICAL SECTION DETAIL  
WOOD FRAMING INSTALLATION**

Tanya A. Dolby, P.E.  
FL License No. 93536  
Intertek-ATI  
130 Derry Ct., York, PA 17406  
717-764-7700  
Project Q4430.01-122-34

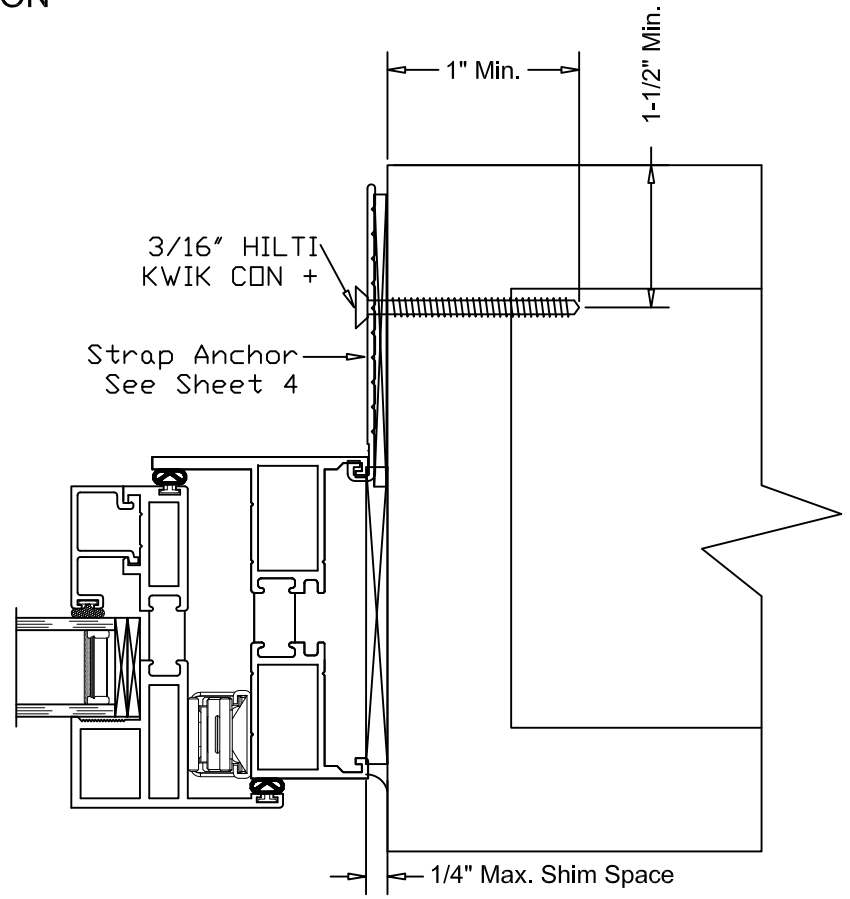


**HORIZONTAL SECTION DETAIL  
WOOD FRAMING INSTALLATION**



**STEEL FRAMING INSTALLATION**

**CONCRETE INSTALLATION**



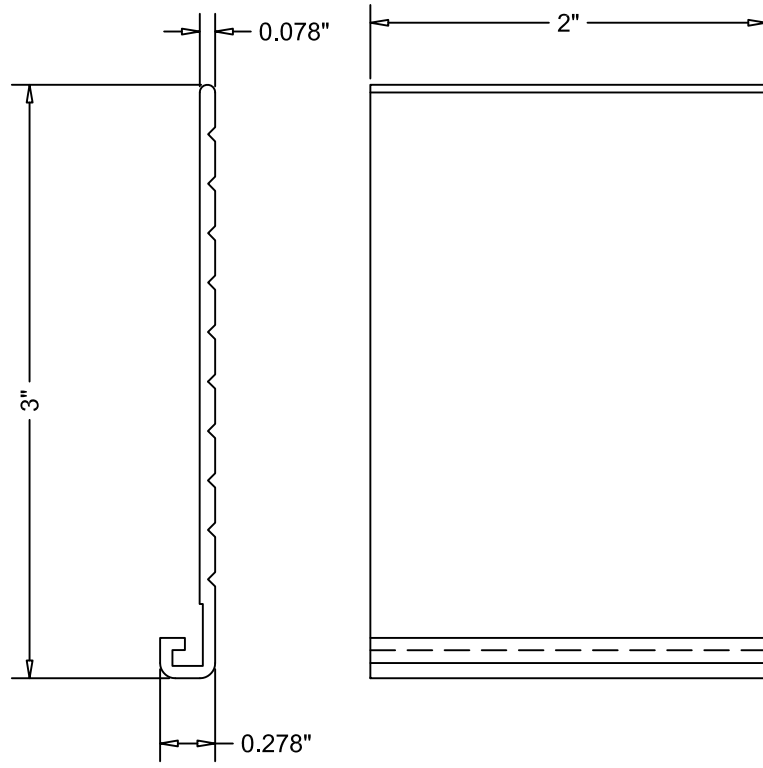
**CMU INSTALLATION**

Project Name: **M600 DUAL CASEMENT OS**  
Description: **STRAP INSTALLATIONS**

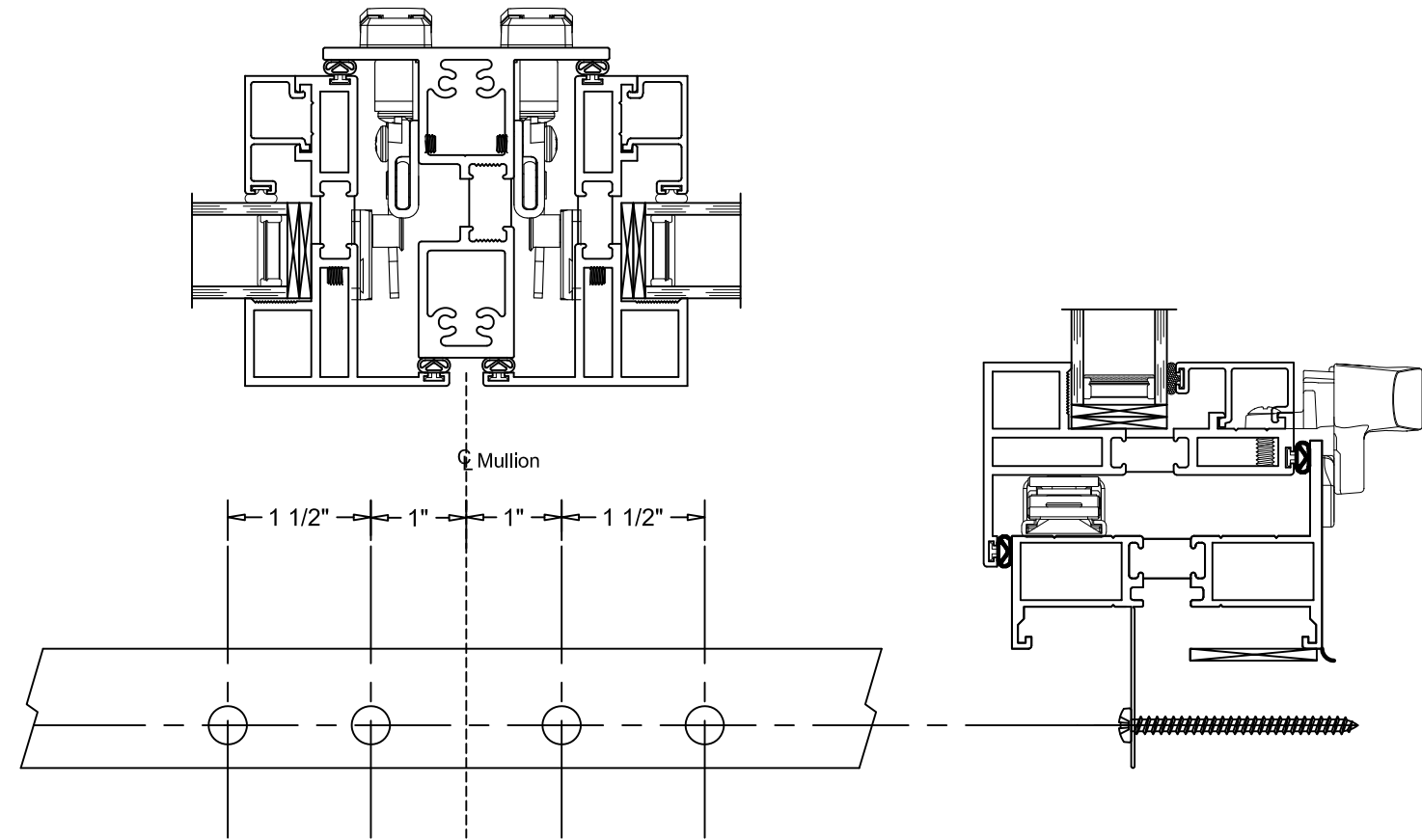
Revision #:	By:	Date:
1	MJT	04/11/21
2	MJT	05/09/21
3	MJT	04/11/21

  
 PHONE (573)-744-5211  
 FAX (573)-744-5586  
 COMMERCIAL  
 www.quakerwindows.com  
 FAX (573)-744-5822  
 Scale: **NONE**  
 504 Highway 63 South  
 Freeburg, MO 65035  
 drafting@quakerwindows.com  
 Sheet #: **3 of 4**  
 Drawn By: **BUD**  
 Date: **08-15-2023**

**M600 DUAL CASEMENT OS  
INSTALLATION INSTRUCTIONS**



Strap Anchor  
6063-T6 Aluminum  
Die QUA 19801



Anchor Layout @ Mullion  
Head and Sill

Tanya A. Dolby, P.E.  
FL License No. 93536  
Intertek-ATI  
130 Derry Ct., York, PA 17406  
717-764-7700  
Project Q4430.01-122-34

PHONE (573)-744-5211  
FAX (573)-744-5586  
COMMERCIAL  
FAX (573)-744-5822  
www.quakerwindows.com

**QUAKER**  
COMMERCIAL WINDOW AND DOOR

Scale: NONE  
504 Highway 63 South  
Freeburg, MO 65035  
drafting@quakerwindows.com

Drawn By: BUD  
Date: 08-15-2023

**STRAP ANCHOR DETAILS**

QUAKER WINDOW PRODUCTS  
WILL NOT BE RESPONSIBLE  
FOR FIELD MEASUREMENT,  
QUANTITIES, & INSTALLATION  
DESIGN. CONTRACTOR MUST  
VERIFY ALL DIMENSIONS.

Revision #:	Date:	By:
2	05/09/21	MJT
1	04/11/21	MJT

Project Name:

**M600 DUAL CASEMENT OS  
INSTALLATION INSTRUCTIONS**

Sheet #: 4 of 4